



CB 249 New

LIST OF THE EXPLODED VIEWS



SHELL ASSY

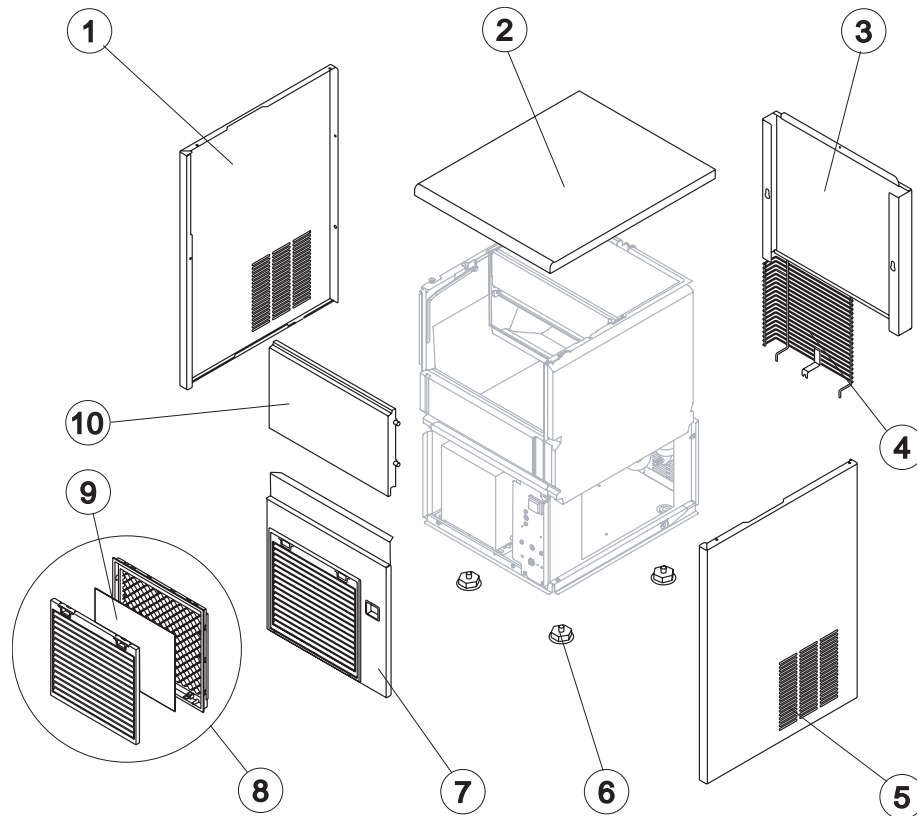
COOLING SYSTEM

HYDRAULIC CIRCUIT

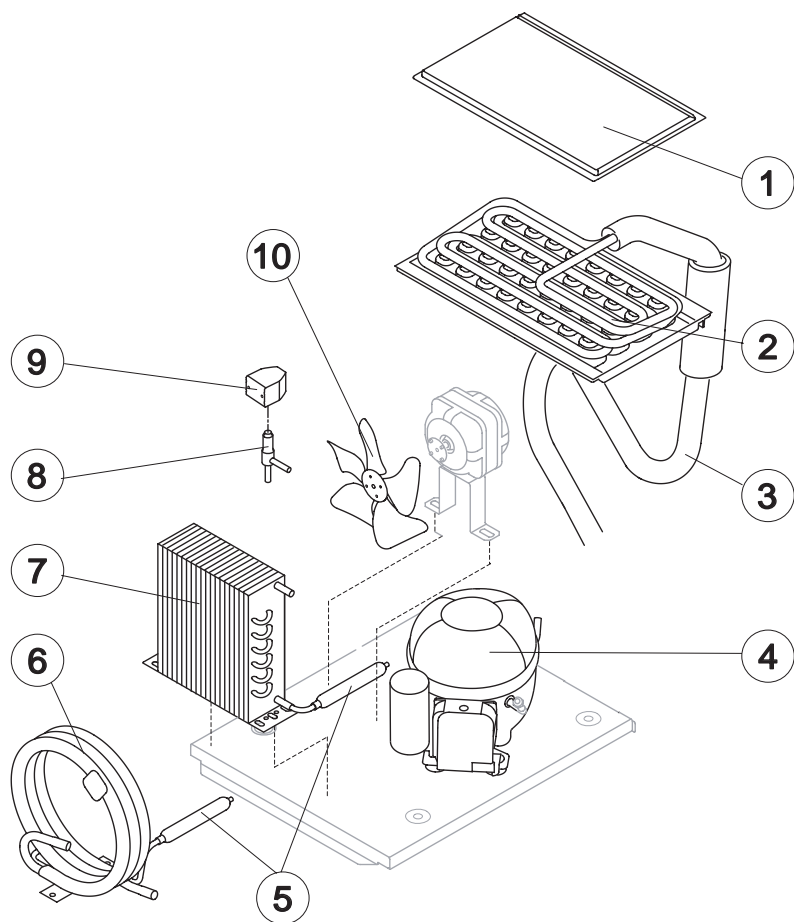
HYDRAULIC CIRCUIT DP

ELECTRICAL PARTS

Rev. 00 - 01/10/2021



Ref.	Spare Description	Code
1	Left Side Panel Assembly	C221960
2	Top	221938
3	Rear Side Panel	21541
4	Back grill	D12135
5	Right Side Panel Assembly	C221961
6	Foot	10557
7	Front Panel	C221933
8	Grid whit Filter Assembly	C10205
9	Filter	18106
10	Door Assembly	C10303



Common Parts

Ref.	Spare Description	Code
1	Evaporator Cover Panel	10512
2	Evaporator Assy	See Table
3	Suction Line	for the spare parts code give us the s/n.
4	Compressor	See Table
5*	Liquid Line Drier	14009
8*	Hot Gas Valve Body	201260
9*	Hot Gas Valve Coil	23854
10	Suction Fan	See Table

Parts for Air-Cooled Version Only

Ref.	Spare Description	Code
7	Air Condenser	20534

Parts for Water-Cooled Version Only

Ref.	Spare Description	Code
6	Water Condenser	14057

Rev. 00 - 01/10/2021

R2f. 2 - Evaporator

Kind of Cube	Code
18 g. (Standard)	D10045
33 g.	D10320
13 g.	D10416
42 g.	D10502

Ref. 4 - Compressor

Voltage	Code
220/240V 50 Hz	23886
220V 60 Hz	23494A

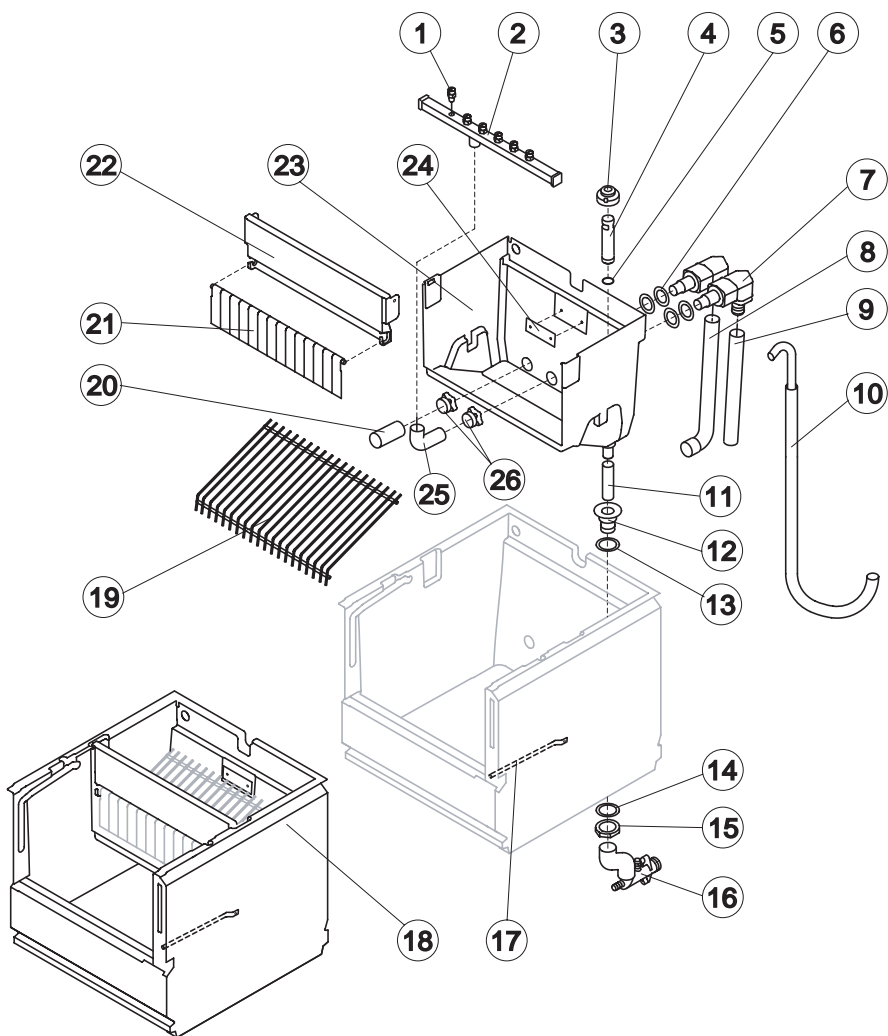
Ref. 10 - Suction Fan

Voltage	Air	Water
220/240V 50 Hz	20096	10213
220V 60 Hz	20096	10213



CB 249 New

HYDRAULIC CIRCUIT only for CB249A and CB249W



Common Parts

Ref.	Spare Description	Code
1	Sprayer	D20002
2*	Sprayers Bar Assembly	See Table
3*	Overflow Cap	10305
4*	Overflow Pipe	10133
5*	OR Gasket for Overflow Pipe	20233
6	Gasket for Pump Suction/Delivery Pipes	13220
7	Insulated Pump Suction/Delivery Fitting	C10653
8	Insulated Pump Suction Pipe	C13172
9	Insulated Pump Delivery Pipe	C13175295
10*	Water Supply Pipe to the Evaporator	C13223
11*	Overflow Pipe	13106
12	Water Outlet Nipple	10472
13	Gasket	13219
14	Semirigid Polyethylene Gasket	13007
15	Bin Discharge Nut	10096
17	Bulbe-holder Pipe	20520
18	Complete Basin Assembly	C11255
19*	Ice Cubes Slide	See Table
20*	Pump Suction Filter	20005
21	Rod with Flags	10533
22	Flags ABS Support	10529
23	Inner Basin	10909
24	Slide Keep Plate	10009
25	Sprayers Feeding Pipe	13005
26	Fittings Locking Ring	10654

Rev. 00 - 01/10/2021

Ref. 2* - Sprayers Bar Assembly

Kind of Cube	Code
18 g. (Standard)	C201062
33 g.	C201089
13 g.	C201071
42 g.	C201089

Ref. 19* - Ice Cubes Slide

Kind of Cube	Code
18 g. (Standard)	D12001
33 g.	D12066
13 g.	D12046
42 g.	D12066

Parts for Air-Cooled Version Only

Ref.	Spare Description	Code
16	Discharges Manifold	C10006

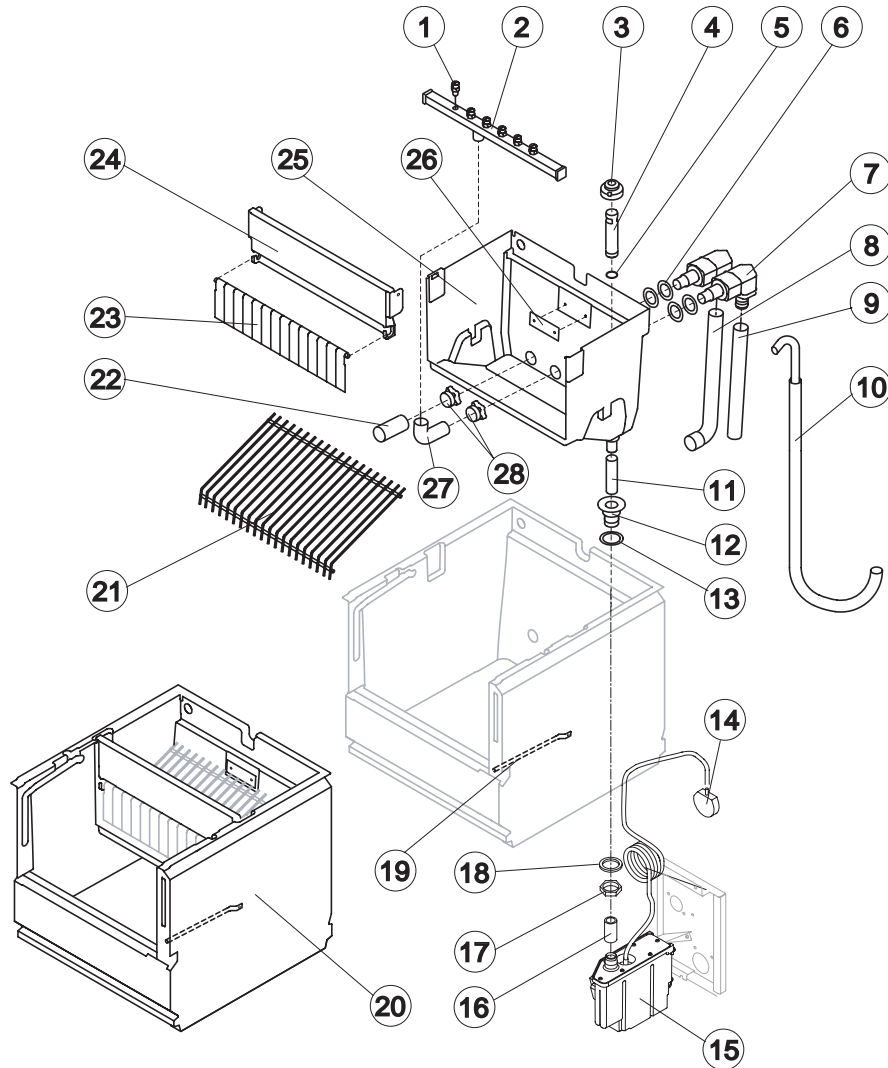
Parts for Water-Cooled Version Only

Ref.	Spare Description	Code
16	Discharges Manifold	C26452



CB 249 New

HYDRAULIC CIRCUIT only for CB249A DP



Common Parts

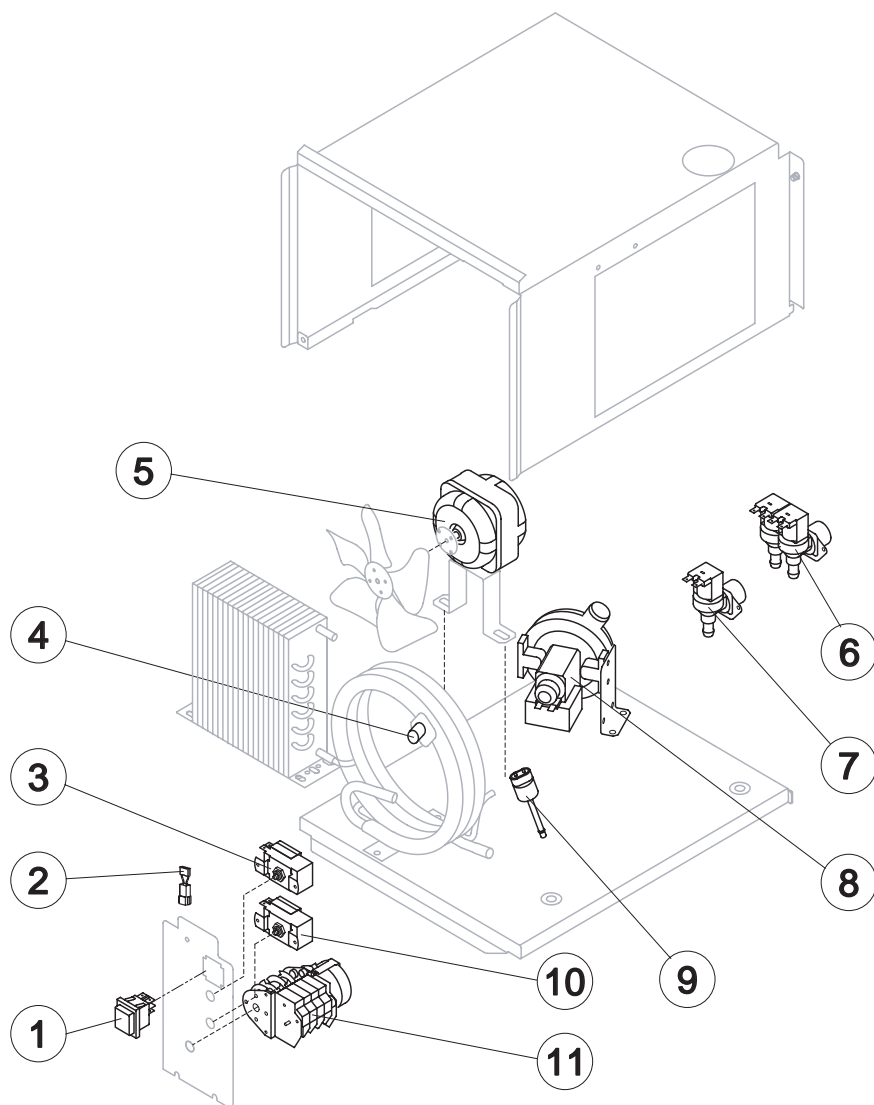
Ref.	Spare Description	Code
1	Sprayer	D20002
2*	Sprayers Bar Assembly	See Table
3*	Overflow Cap	10305
4*	Overflow Pipe	10133
5*	OR Gasket for Overflow Pipe	20233
6	Gasket for Pump Suction/Delivery Pipes	13220
7	Insulated Pump Suction/Delivery Fitting	C10653
8	Insulated Pump Suction Pipe	C13172
9	Insulated Pump Delivery Pipe	C13175295
10*	Water Supply Pipe to the Evaporator	C13223
11*	Overflow Pipe	13106
12	Water Outlet Nipple	10472
13	Gasket	13219
14	Drain Pump Pressure Switch	C231230
15	Drain Pump	RC231225
16	Bin Discharge-Drain Pump Connection	C13175080
17	Bin Discharge Nut	10096
18	Semirigid Polyethylene Gasket	13007
19	Bulbe-holder Pipe	20520
20	Complete Basin Assembly	C11255
21*	Ice Cubes Slide	See Table
22*	Pump Suction Filter	20005
23	Rod with Flags	10533
24	Flags ABS Support	10529
25	Inner Basin	10909
26	Slide Keep Plat	10009
27	Sprayers Feeding Pipe	13005
28	Fittings Locking Ring	10654

Ref. 3* - Sprayers Bar Assembly

Kind of Cube	Code
18 g. (Standard)	C201062
13 g.	C201071

Ref. 20* - Ice Cubes Slide

Kind of Cube	Code
18 g. (Standard)	D12001
13 g.	D12046



Common Parts

Ref.	Spare Description	Code
1*	Green Light Switch (On-Off)	23327
3*	Bin Thermostat	23005
5*	Fan Motor	231041
8*	Pump Assembly	See Table
10*	Evaporator Thermostat	23591
11*	Timer	See Table

Parts for Air-Cooled Version Only

Ref.	Spare Description	Code
7*	1 Way- Water Inlet Valve	23497

Parts for Water-Cooled Version Only

Ref.	Spare Description	Code
2	Anti Radio Interference Filter	C23457
4*	Safety Thermostat	C23114
6*	2 Ways- Water Inlet Valve	23542
9*	Condenser Pressure Switch	231342

Ref. 8 - Pump Assembly

Tensione	Codice
220/240V 50 Hz	C231397
220V 60 Hz	C231418

Ref. 11* - Timer

Voltage	Cube 18g	Cube 33g	Cube 13g	Cube 42g
220/240V 50 Hz	23222	23248	23247	23780
220V 60 Hz	231078	231080	231077	231080

Rev. 00 - 01/10/2021